

Improving your PERFORMANCE

701AC LoadSure element conversion kit for 701R Pumpheads

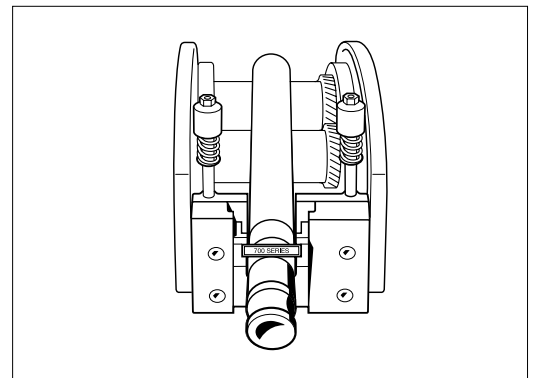
Technical Information and features

- Improved tube life
- Automatic tube loading, assuring reliable operation
- Tube change time reduced
- Significant cost and time savings, maximum up-time from your pump
- Retrofittable to all 700 series pumps
- A standard option with new pumps



LoadSure element conversion kit for 701R pumpheads		
LoadSure pumphead element conversion kit	701AC	079.0101.000

LoadSure tubing elements fitted with male 3/4" Cam & Groove connectors		
Bore/wall (mm)	Marprene	Neoprene
12.7 / 4.8	902.0127.PPC	920.0127.PPC
15.9 / 4.8	902.0159.PPC	920.0159.PPC
19.0 / 4.8	902.0190.PPC	920.0190.PPC



LoadSure installation and interfacing pipe work				
Length(m)/bore(mm)	Transparent PVC tubing with 3/4" PP female C&G connectors	Black opaque PVC tubing with 3/4" PP female C&G connectors	Transparent PVC tubing with 3/4" PP female/male C&G connectors	Black opaque PVC tubing with 3/4" PP female/male C&G connectors
1m/19mm	069.6171.PFC	069.6181.PFC	069.6171.PTC	069.6181.PTC
3m/19mm	069.6173.PFC	069.6183.PFC	069.6173.PTC	069.6183.PTC

LoadSure industrial element mating connectors	
C&G female PP 3/4" connector with 1/2" barbed end	069.0120.PFC
C&G female PP 3/4" connector with 3/4" barbed end	069.0170.PFC
C&G female PP 3/4" connector with 1/2" BSP/NPT threaded end	069.0120.PTC
C&G female PP 3/4" connector with 3/4" BSP/NPT threaded end	069.0170.PTC

Complete LoadSure element conversion and installation kits				
LoadSure element Bore / wall (mm)	1 off - Marprene element 2 off - 1 metre/19mm bore clear PVC interface tubing with 3/4" PP female C&G connectors	1 off - Marprene element 2 off - 1 metre/19mm bore black opaque PVC interface tubing with 3/4" PP female C&G connectors	1 off - Neoprene element 2 off - 1 metre/19mm bore clear PVC interface tubing with 3/4" PP female C&G connectors	1 off - Neoprene element 2 off - 1 metre/19mm bore black opaque PVC interface tubing with 3/4" PP female C&G connectors
12.7 / 4.8	079.0111.00B	079.0111.00C	079.0111.00H	079.0111.00J
15.9 / 4.8	079.0111.00D	079.0111.00E	079.0111.00K	079.0111.00L
19.0 / 4.8	079.0111.00F	079.0111.00G	079.0111.00M	079.0111.00P

LoadSure elements must be fitted to flexible tubing to allow correct operation